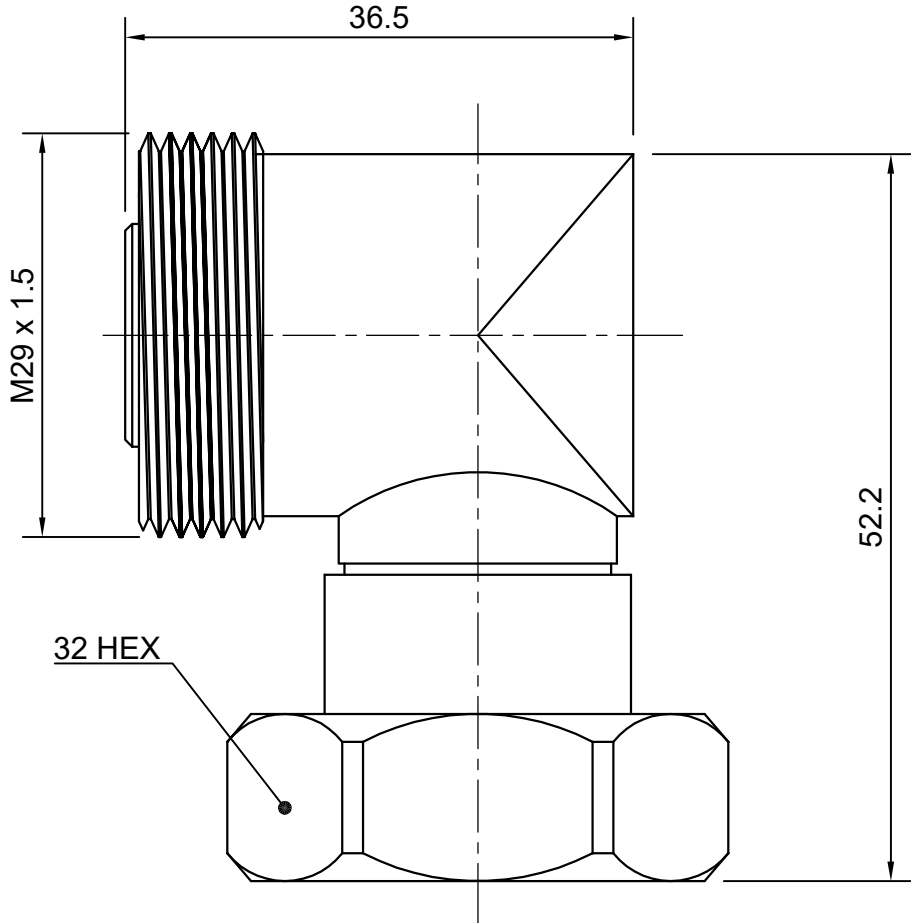


RevNo	Revision note	Date	Signature	Checked



TECHNICAL DATA

Type	Adapter
Orientation	Right Angle
Impedance (Ohms)	50
Adapter Side 1	7/16 (DIN)
Side 1 Gender	Plug
Adapter Side 2	7/16 (DIN)
Side 2 Gender	Jack
Body Finish	White Bronze
Body Material	Brass
Contact Finish	Silver
Contact Material	Brass
Insulator Material	PTFE
Max. Frequency (GHz)	7.5
Mounting Feature	--
Min. Temp. (Celsius)	-65
Max. Temp. (Celsius)	165
Weight (Grams)	0.0

	SHEET	1 of 1	SCALE	NTS
	RF ADAPTER			
	7/16 (DIN) Male to 7/16 (DIN) Female RIGHT ANGLE TYPE			
	DWG NO VSW-AD-051272-R			
	DRAWN VINAY 25.10.2018 CHECK APPR. VINAY 25.10.2018 ISSUED REV R0			

FILE PATH: D:\VINSUR\DRAWINGS -- VINSUR\ADAPTERS\DIN - DIN SIZE

FILE NAME: **ADAPTER - DIN Male to DIN Female Right Angle - VSW-AD-051272-R.dwg**